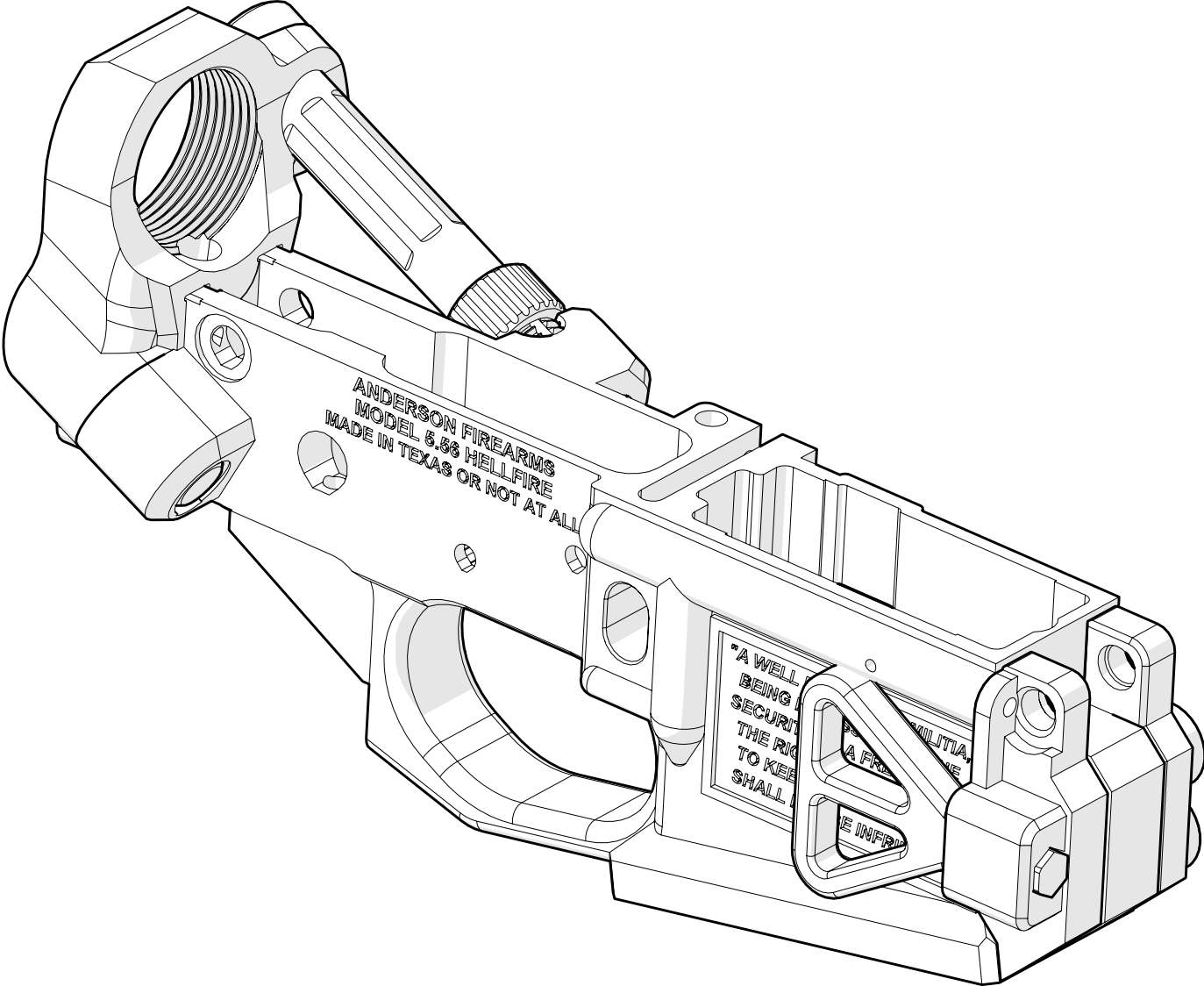
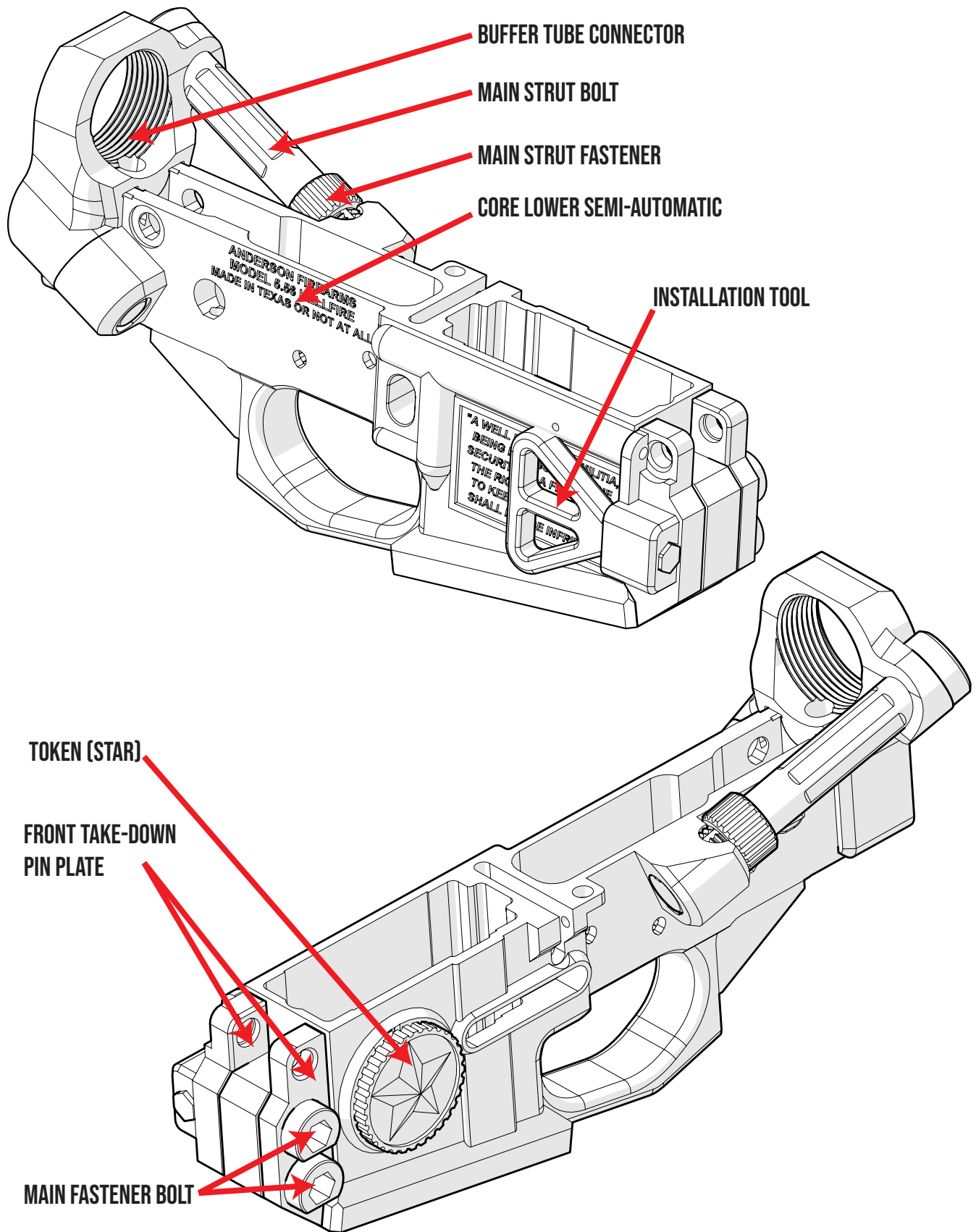


ANDERSON FIREARMS

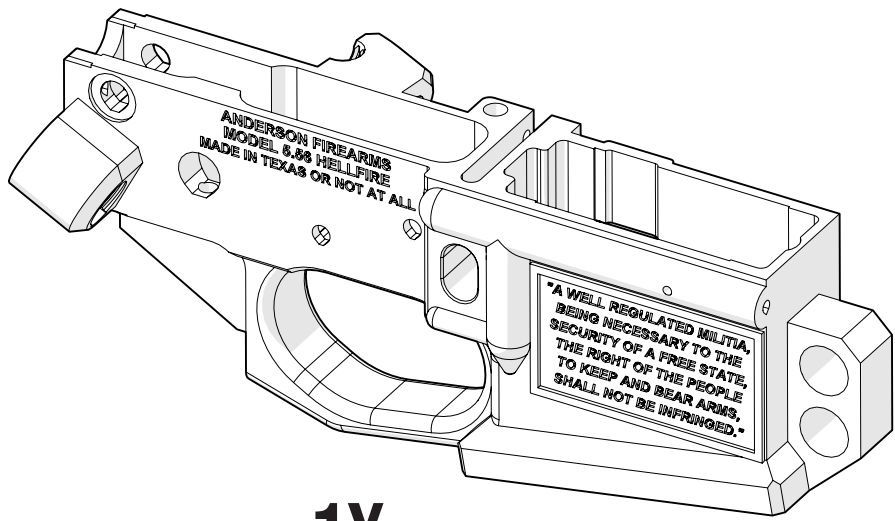


MODEL 5.56 HELLFIRE

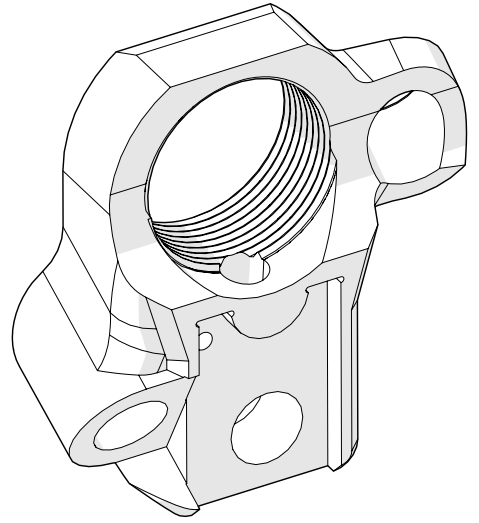
PARTS DIAGRAM



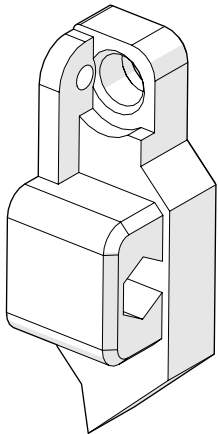
PARTS LIST



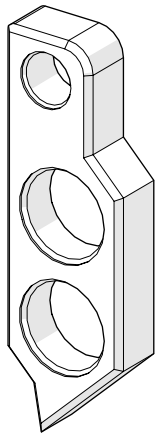
1X



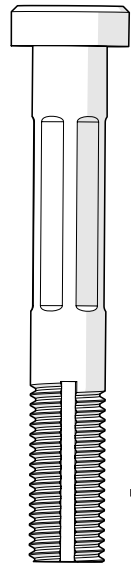
1X



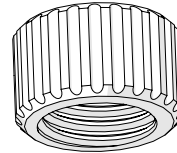
1X



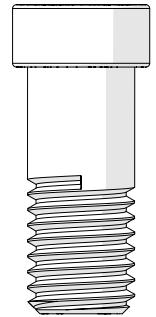
1X



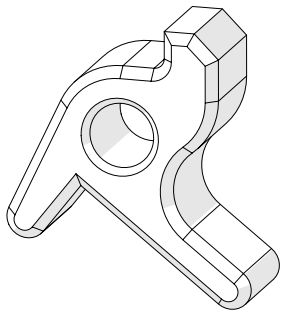
1X



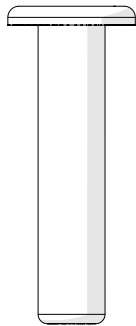
1X



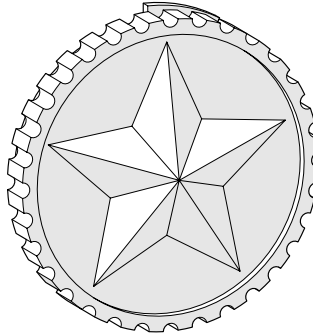
4X



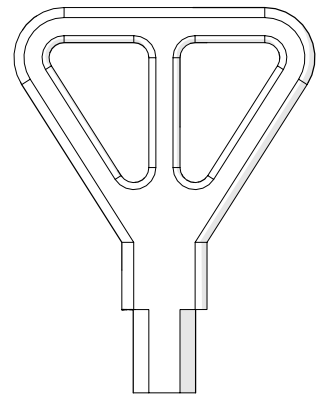
1X



1X



1X



1X

DESIGN & PRINT SPECIFICATIONS

LOWER RECEIVER

DESIGNED FOR AR-15 / M4 RIFLES

CALIBERS: 5.56 NATO / .223 REMINGTON / .300AAC BLACKOUT

MADE AND DESIGNED ONLY IN TEXAS OR NOT AT ALL

AUTO SEARS PRINTED SEPARATELY

ALL AR MAGAZINES COMPATIBLE

NOT AMBIDEXTROUS COMPATIBLE, USE STANDARD LPK

TWO VERSIONS: SEMI AND FULL AUTO, JUST PICK ONE AND PRINT IT

PRINT SETTINGS

MATERIAL: PLA / PLA+ / ABS / NYLON

PRINTING METHOD: FDM PRINTERS ONLY, NOT RESIN

LARGEST SIZED PIECE: 190 X 60 X 73 MM

NOZZLE SIZE: 0.4MM

LAYER HEIGHT: 0.2MM

FILAMENT SIZE: 1.75MM

WALL LINE COUNT / LAYER LINES: 6

INFILL: 80% - 100%

INFILL PATTERN: GRID / CUBIC / LINES

SUPPORTS: DO NOT ENABLE, SUPPORTS BUILT INTO MODELS

BRIM: DO NOT ENABLE, BRIM BUILT INTO MODELS

TOTAL FILAMENT USE: ~220G / ~0.22KG

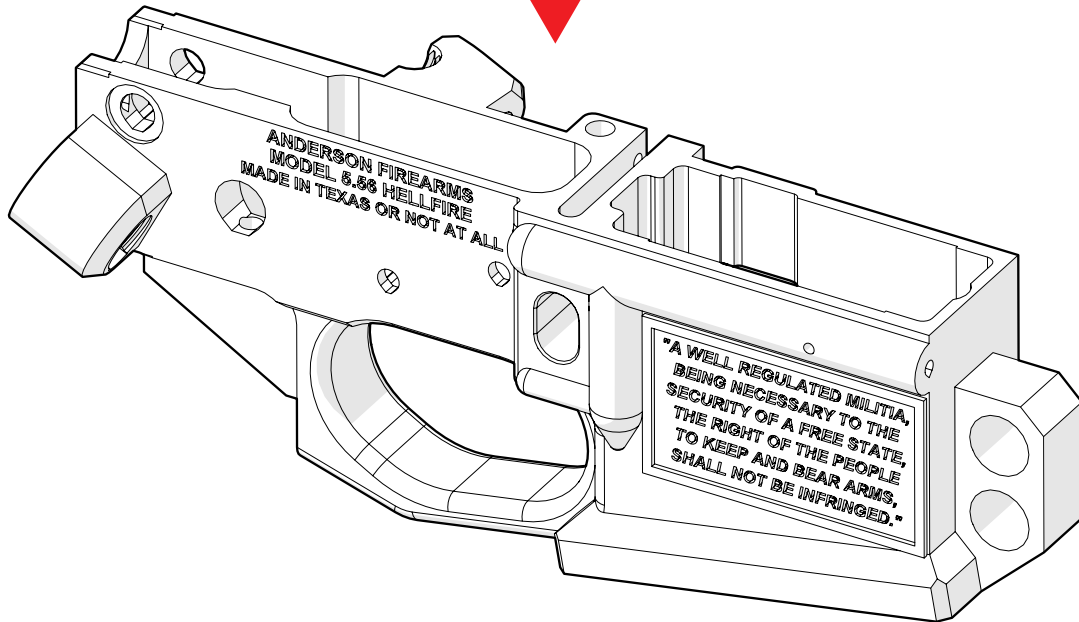
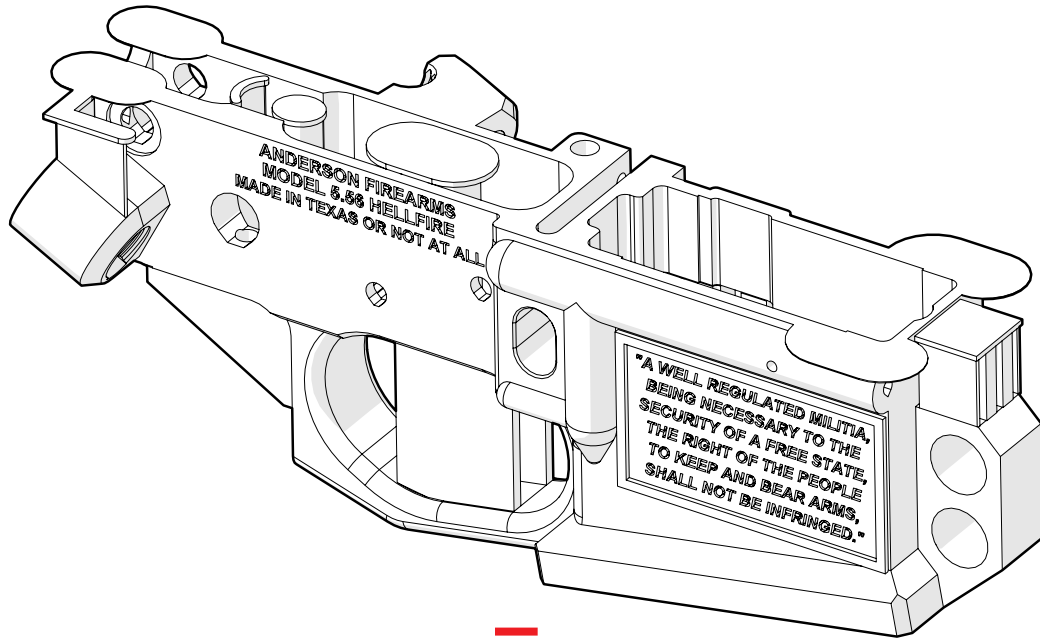
TOTAL PRINT TIME: ~23.5HRS / ~1 DAY

PRINT & ASSEMBLY NOTES

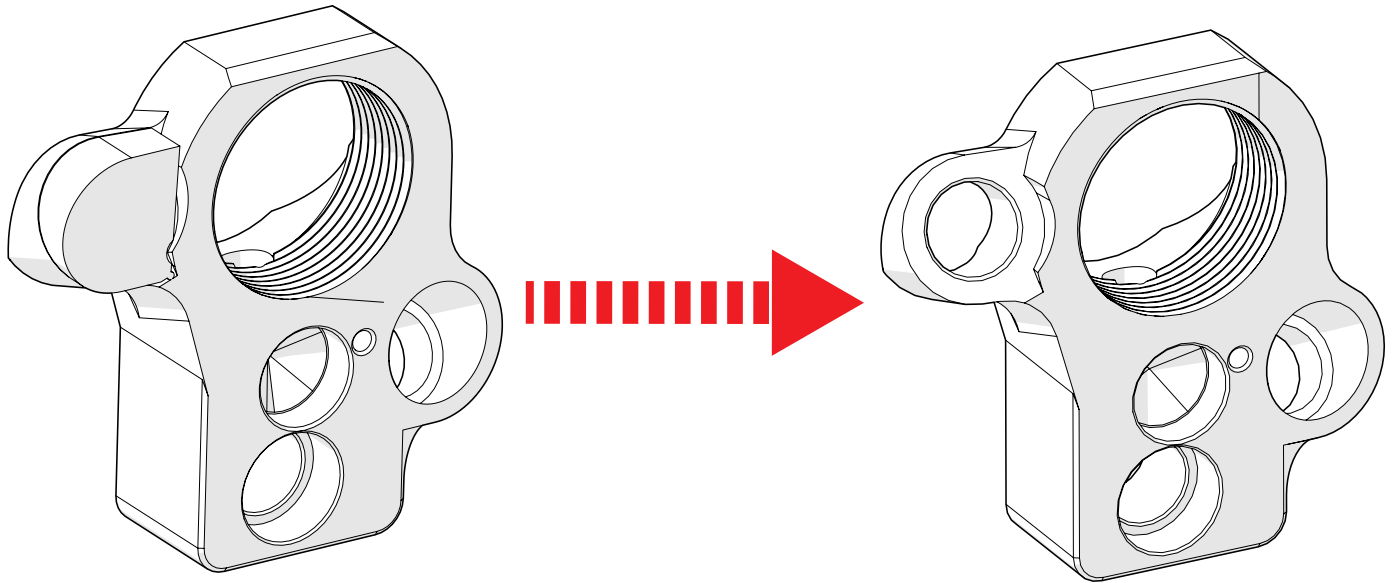
- * IF THE BOLTS ARE HARDER TO FIT / TOO TIGHT, USE A LIGHTER TO HEAT UP THE BOLT AND THE THREADS AND TRY AGAIN.**
- * BEFORE PRINTING, MAKE SURE THE G-CODE SHOWS ALL THE PARTS. SOMETIMES THE SUPPORTS WON'T SHOW UP. IF THIS HAPPENS, ENABLE "PRINT THIN WALLS" IN CURA.**
- * YOU CAN CREATE YOUR OWN TOKEN OR PRINT FROM THE LIST OF TOKENS. DON'T BE AFRAID TO SHARE TOKEN DESIGNS FOR THE COMMUNITY.**
- * THE LOWER IS NOT DESIGNED FOR LARGER NOZZLES, BUT YOU ARE FREE TO TRY. THE LPK IS NOT GUARANTEED TO FIT WITH LARGER PRINT NOZZLES**
- * ALTHOUGH NOT DESIGNED FOR RESIN, NO SUPPORTS VERSIONS ARE PROVIDED. USE AT YOUR OWN RISK, THE LOWER WAS NEVER TESTED IN RESIN.**
- * IF PIECES START TO SHOW WEAR, REPLACE THEM AS NEEDED. ANY CRACKS, TEARS, OR SIGNIFICANT WARPS SHOULD BE REPLACED.**
- * BRIM IS OK IF YOU CAN CLEAN IT. UNTIL THAN, DON'T ENABLE IT.**
- * INSTRUCTIONS FOR THE FULL-AUTO VERSION IS OMITTED ON PURPOSE.**

ASSEMBLY INSTRUCTIONS

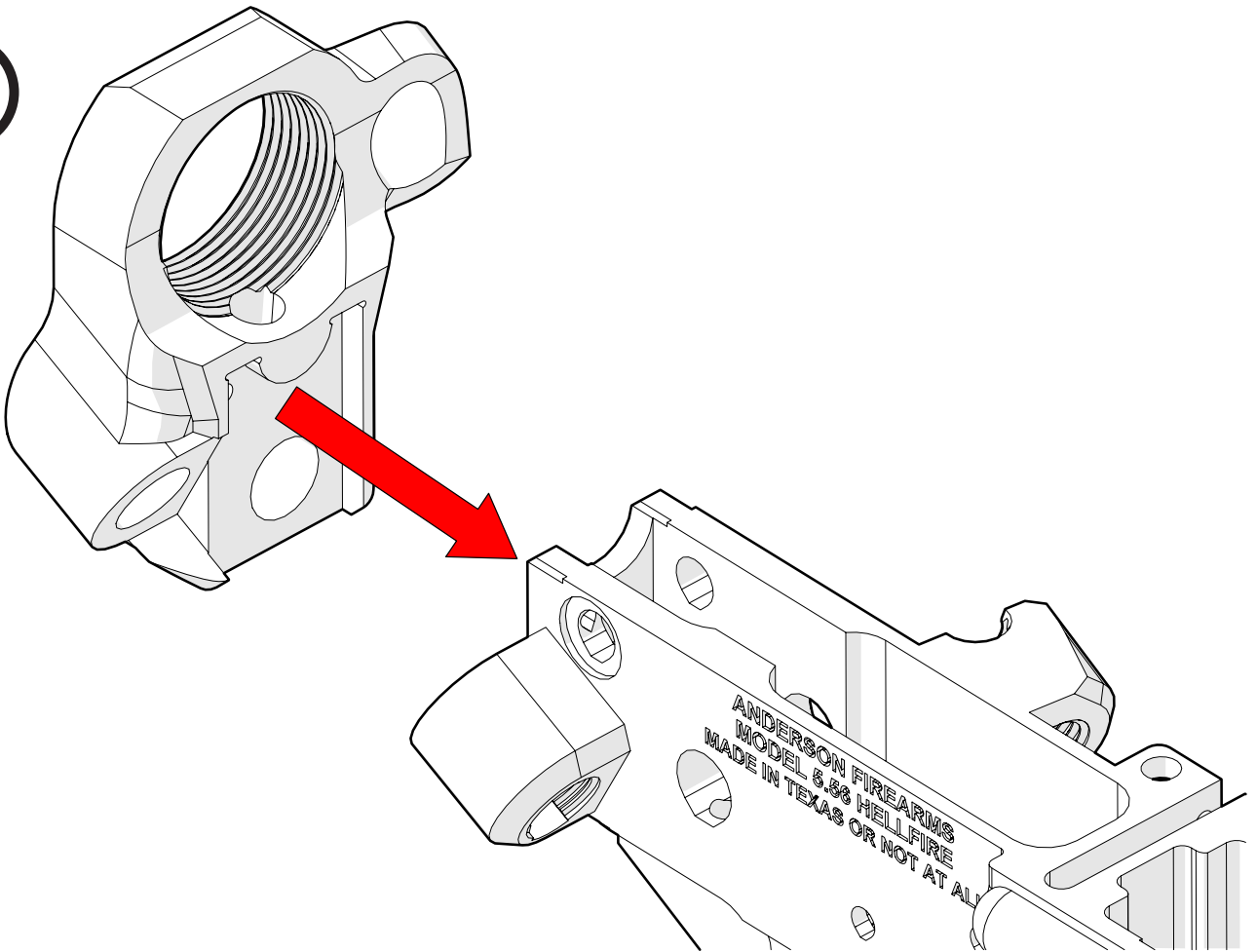
① REMOVE SUPPORTS & BRIMS



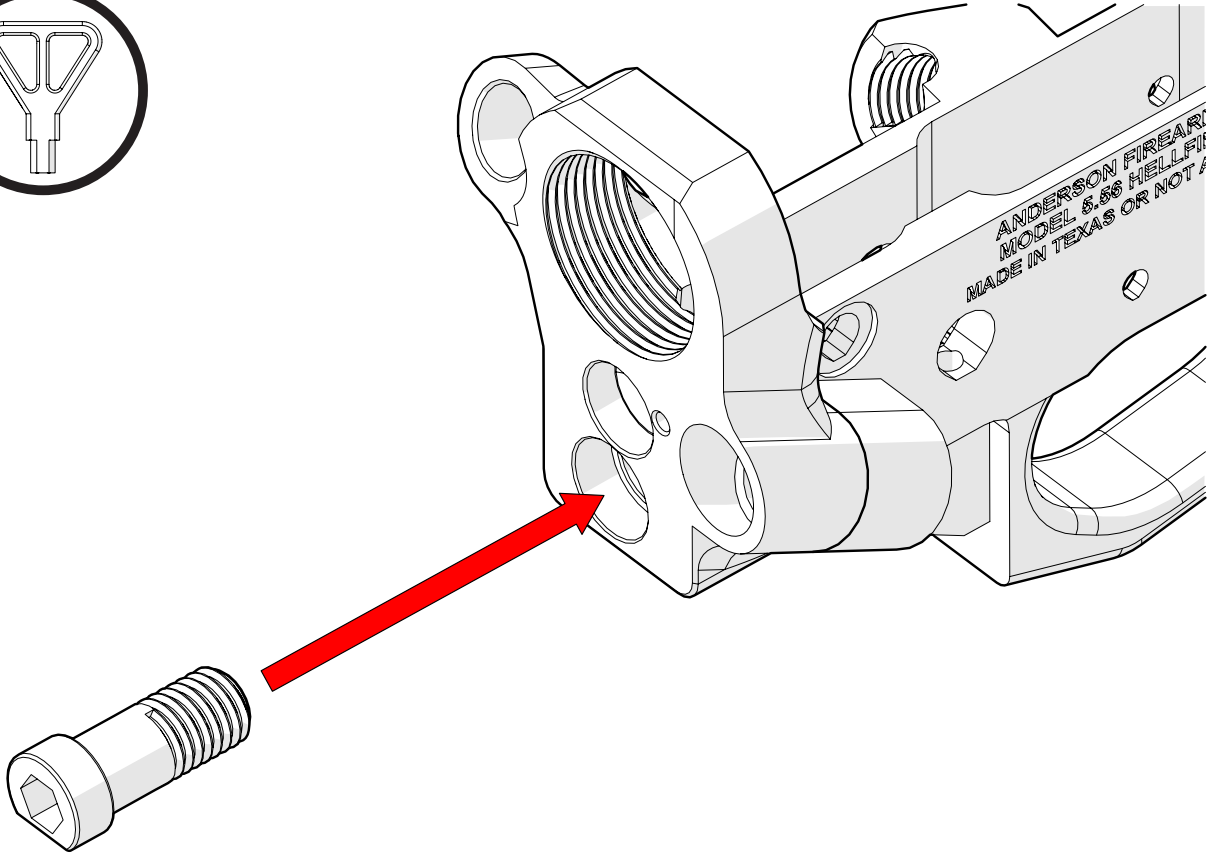
② REMOVE SUPPORTS



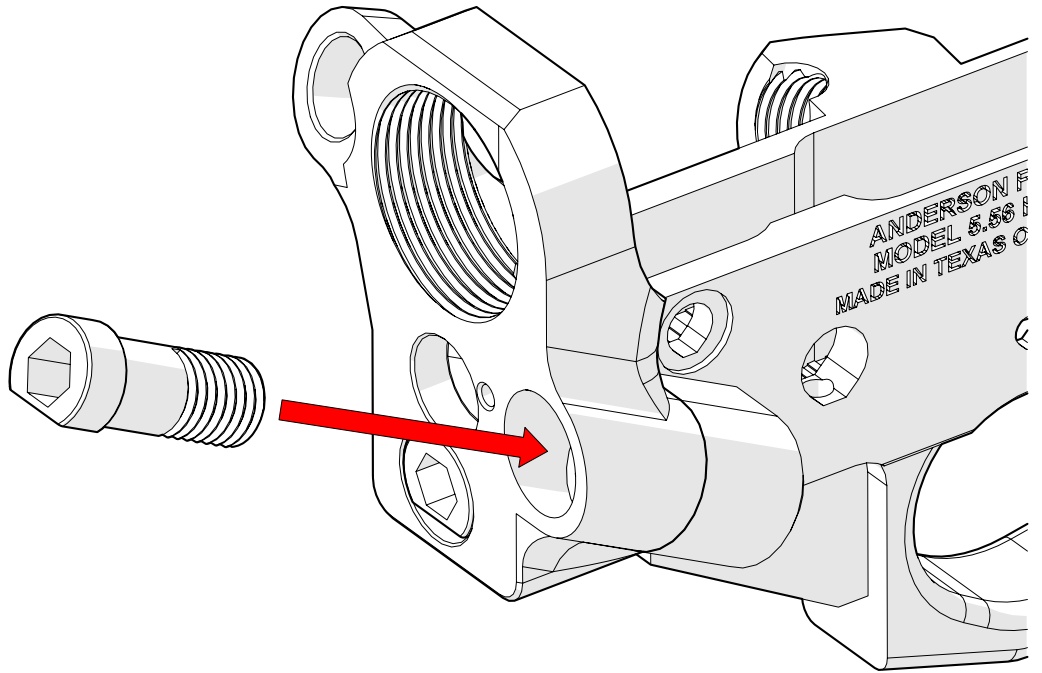
③



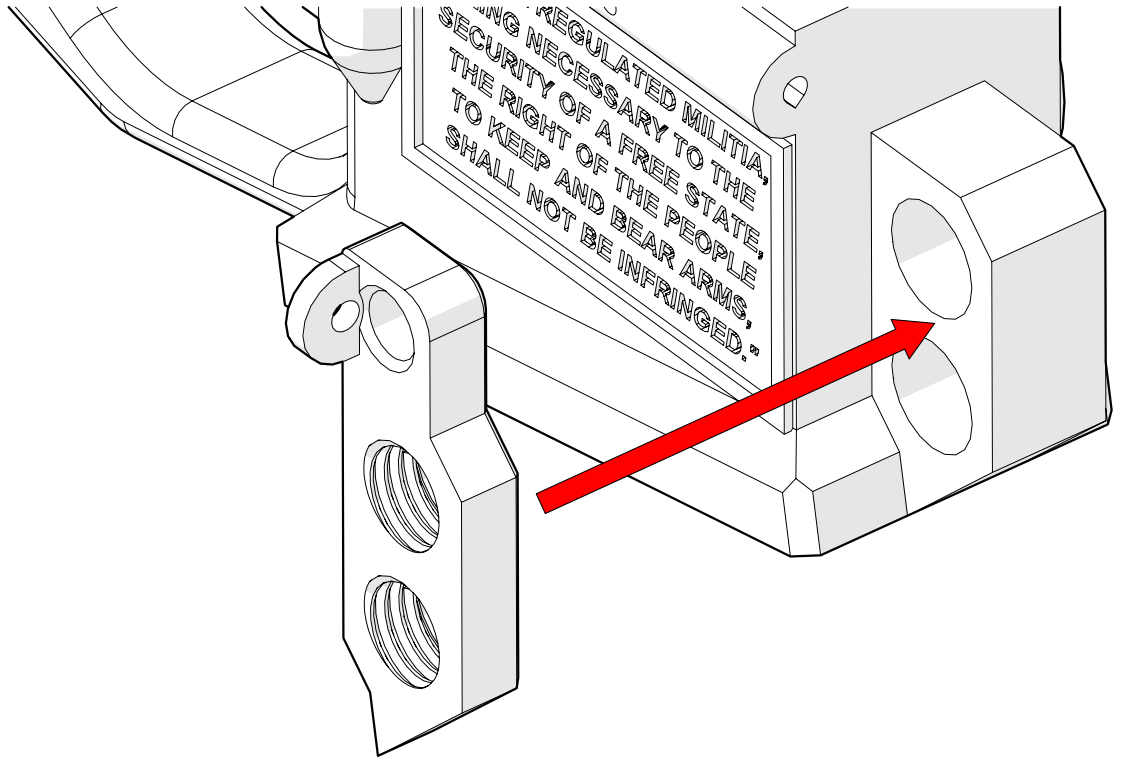
4



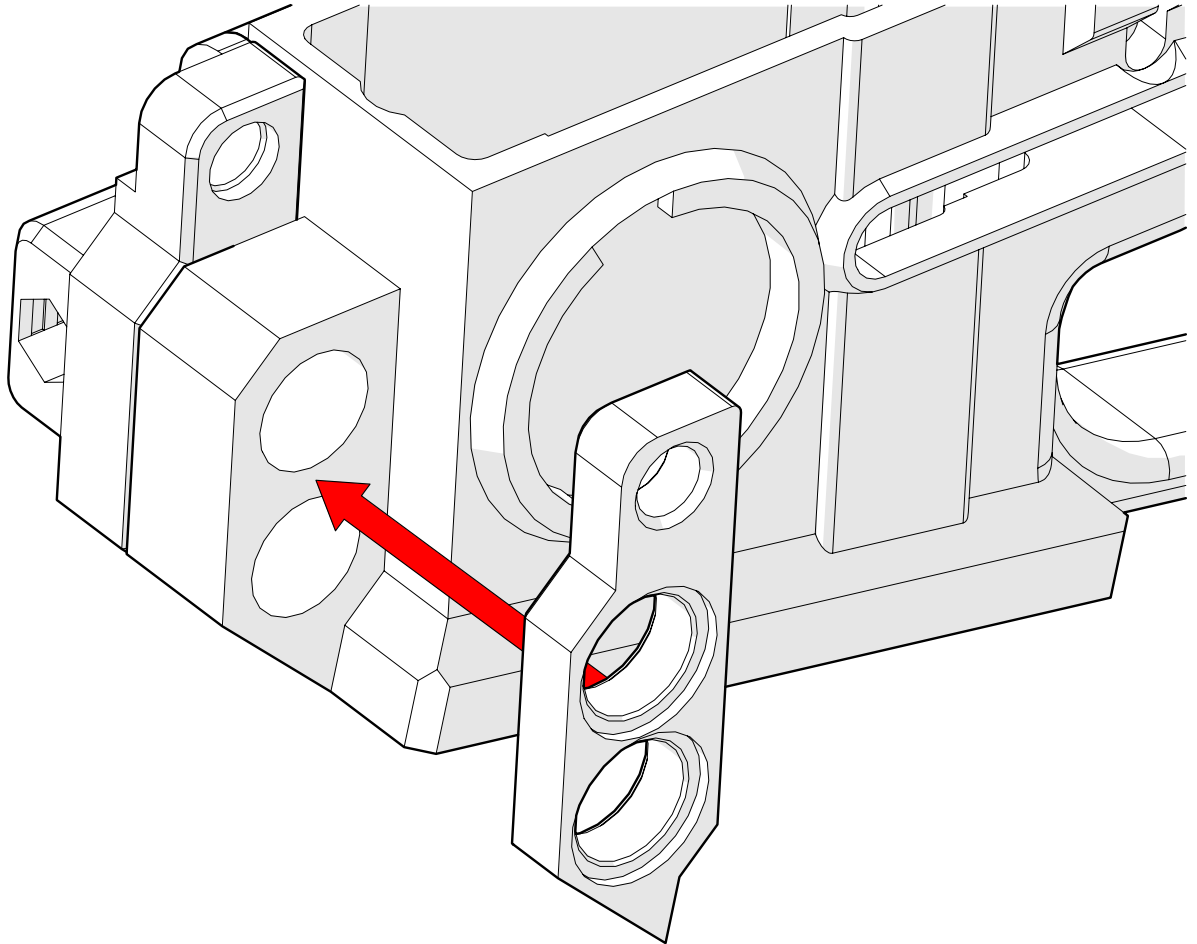
5



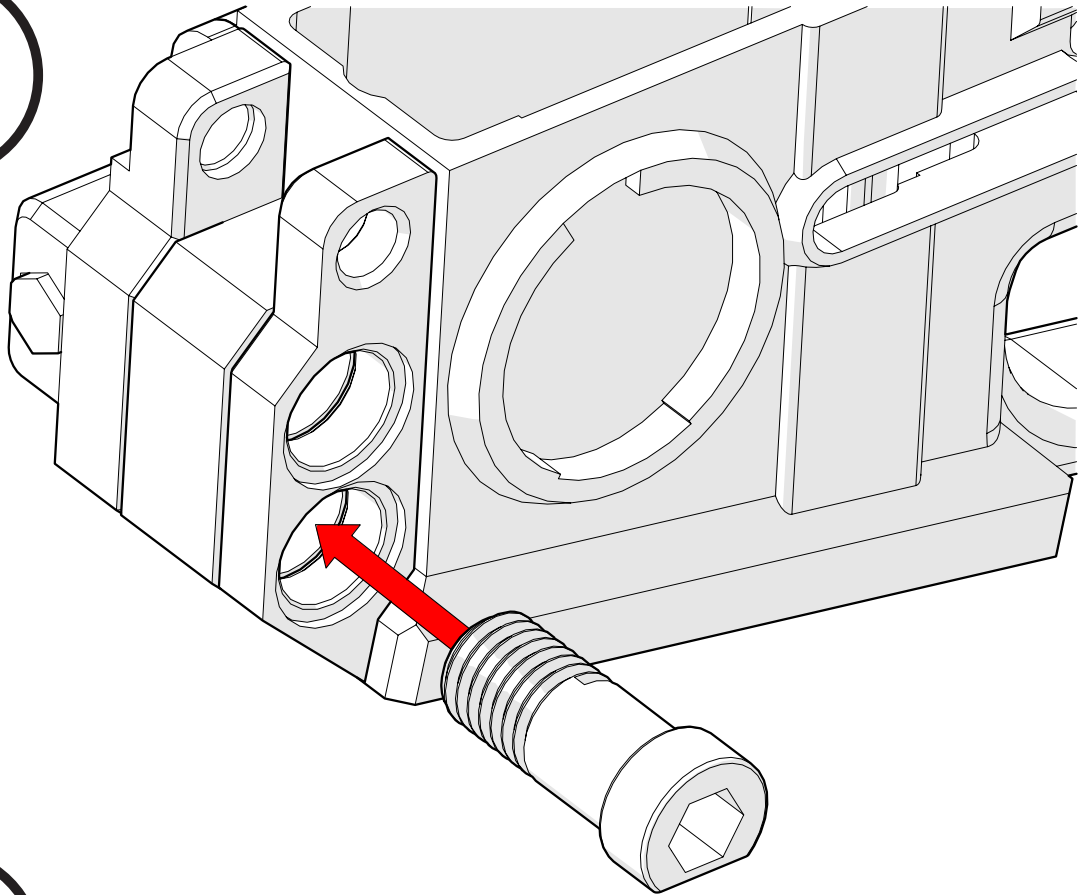
6



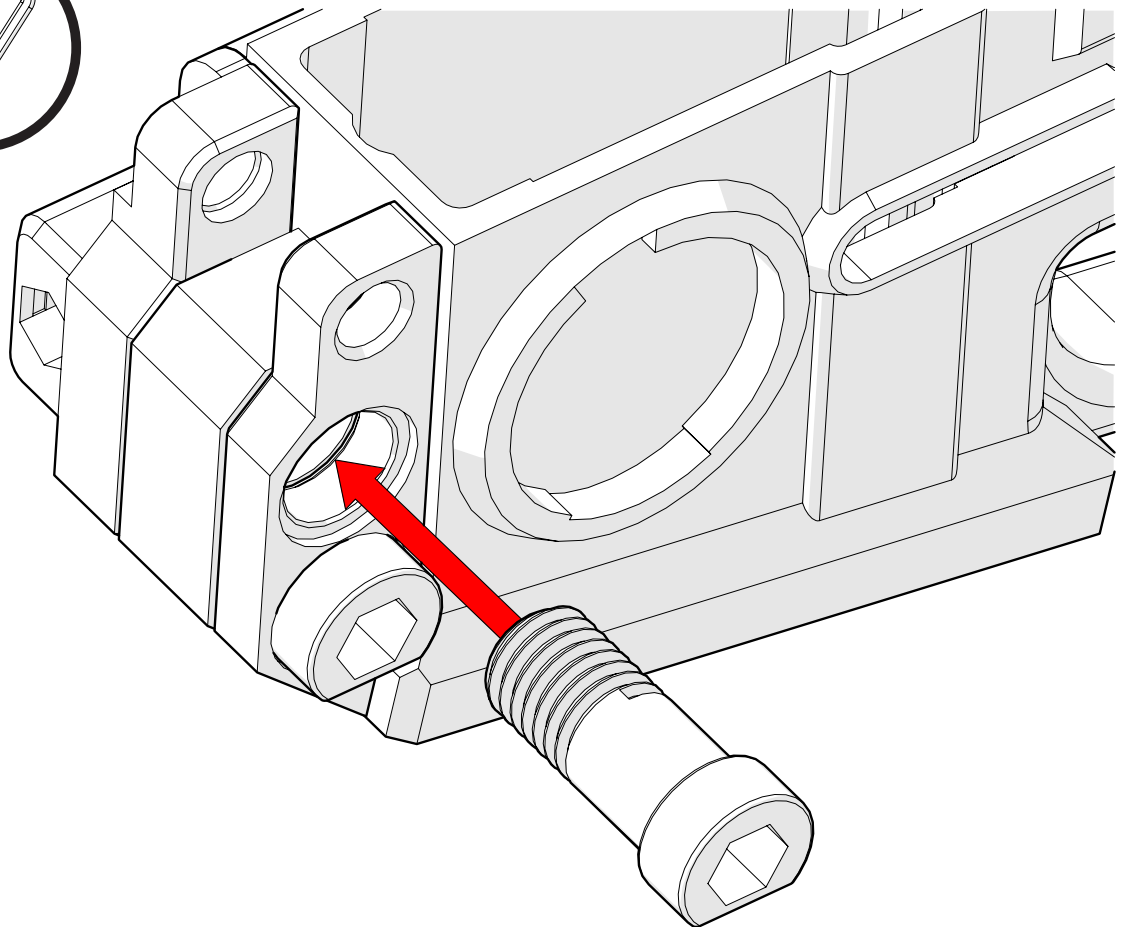
7



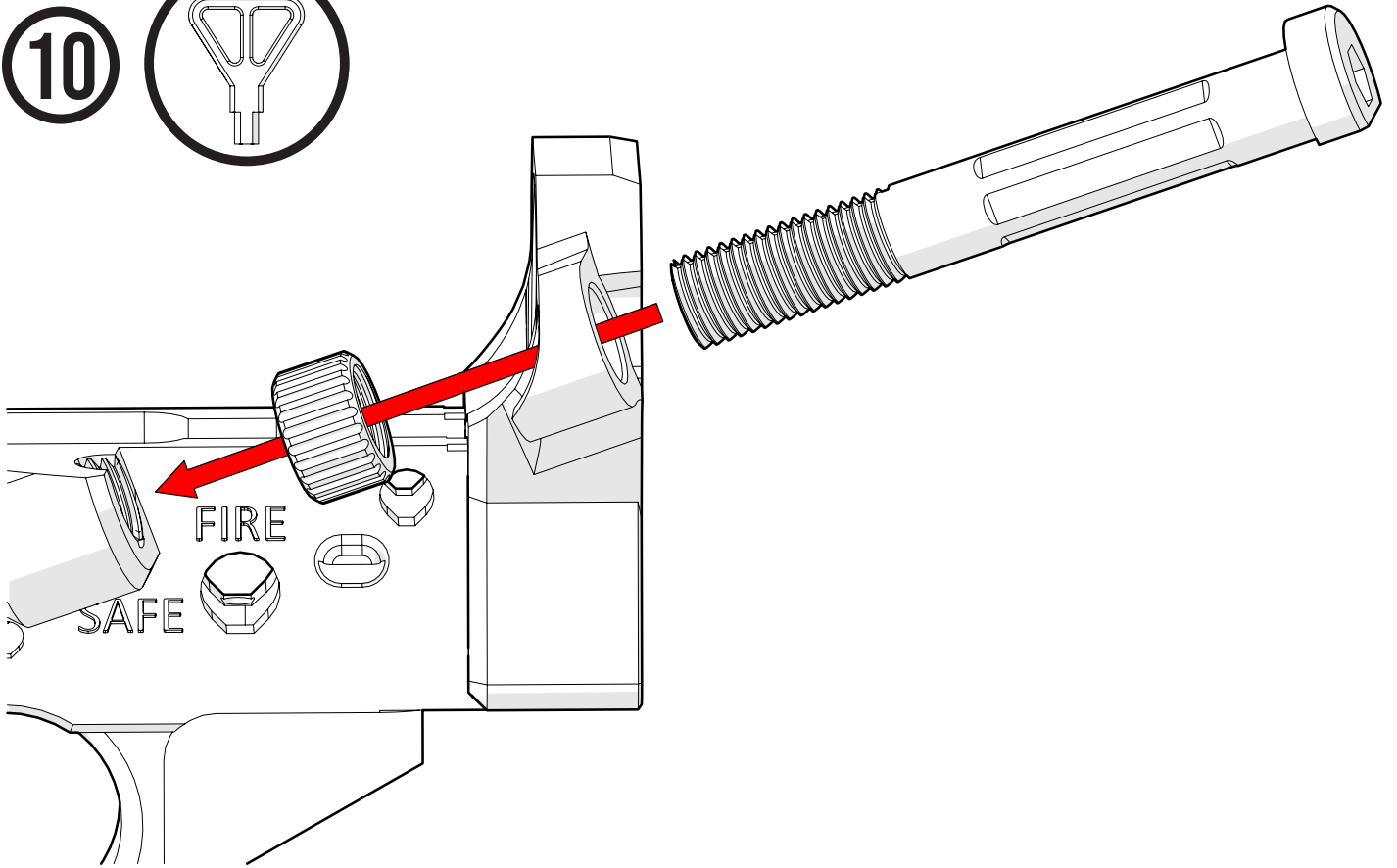
8



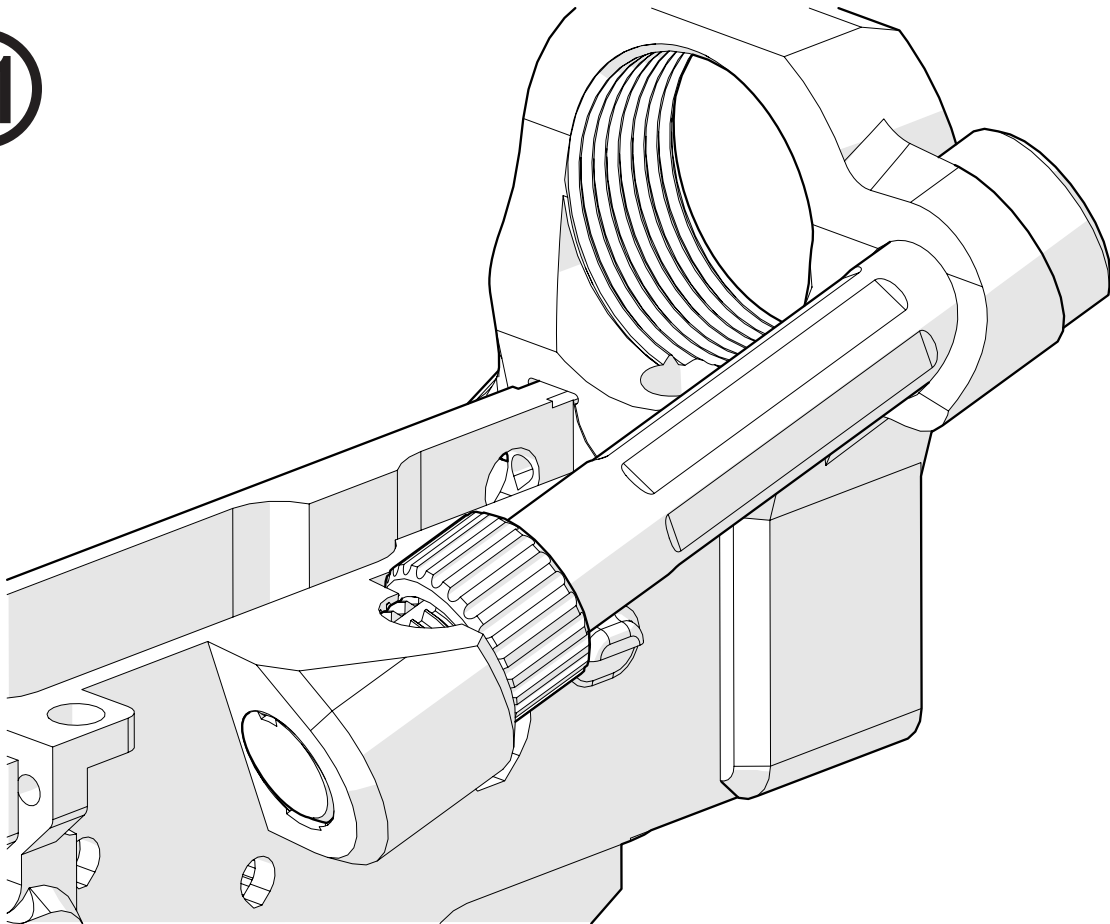
9



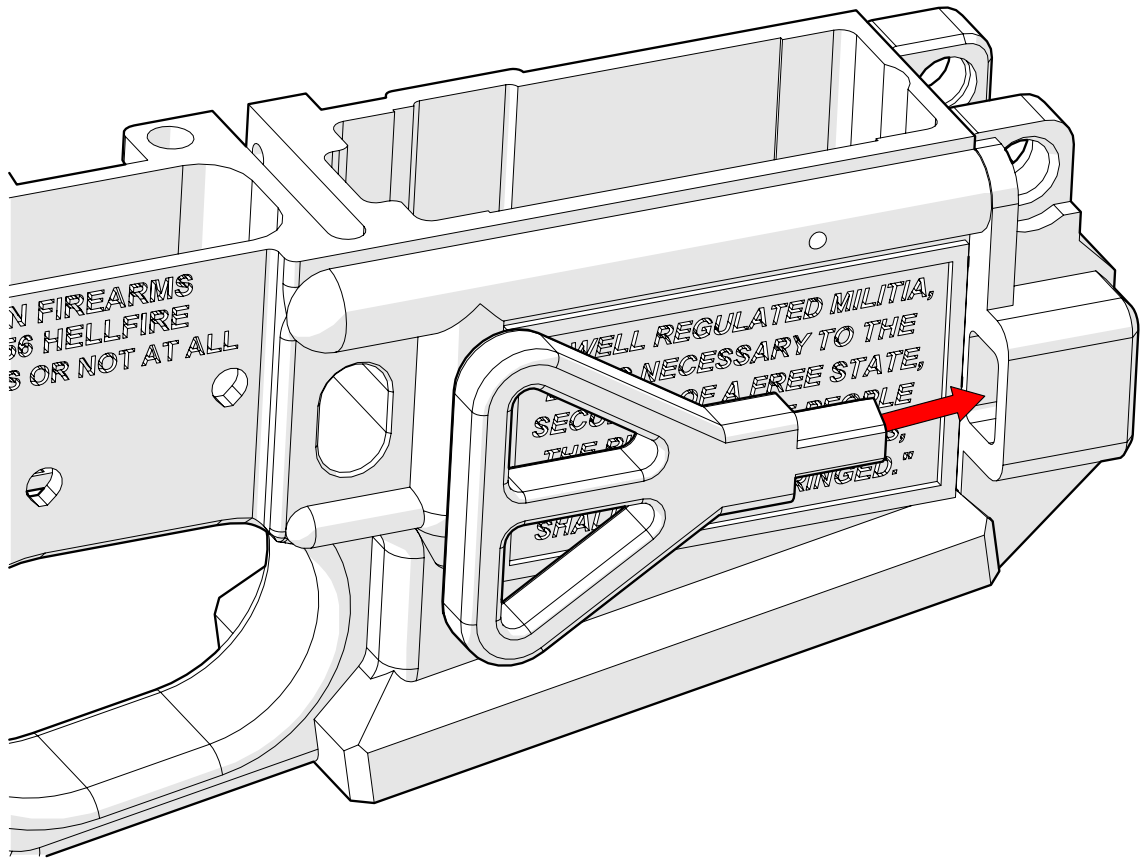
10



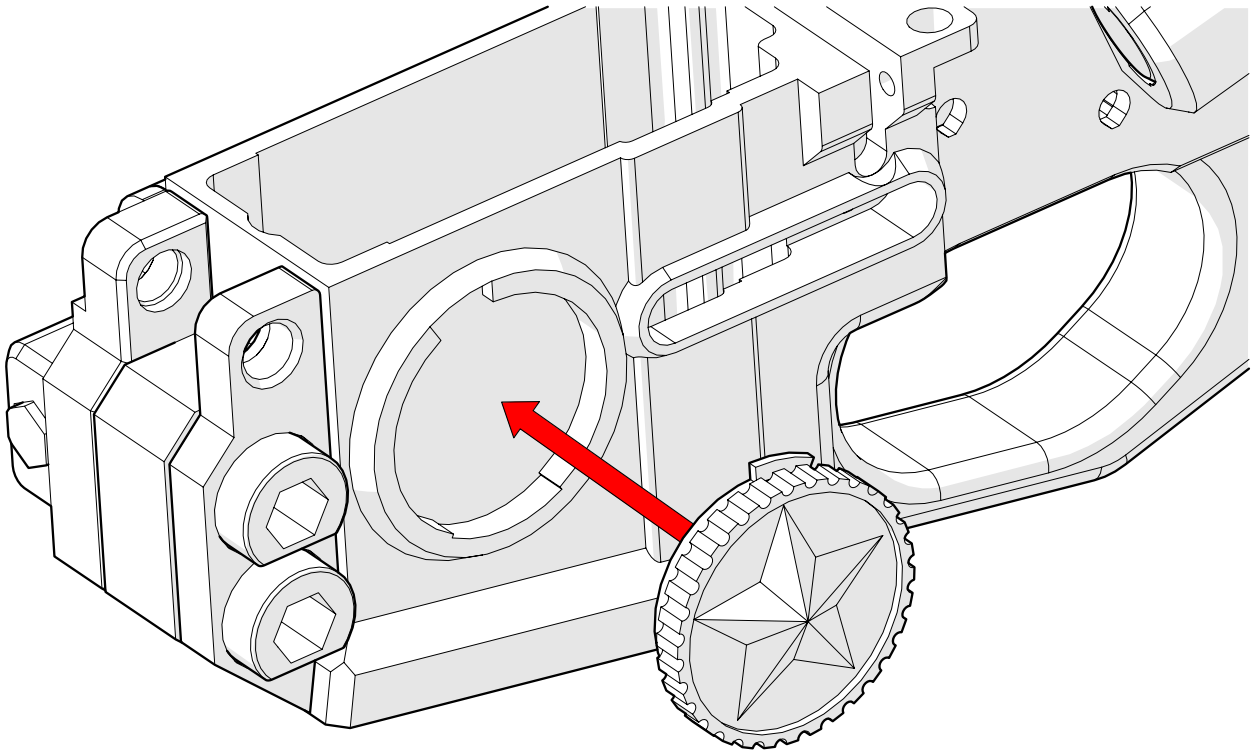
11



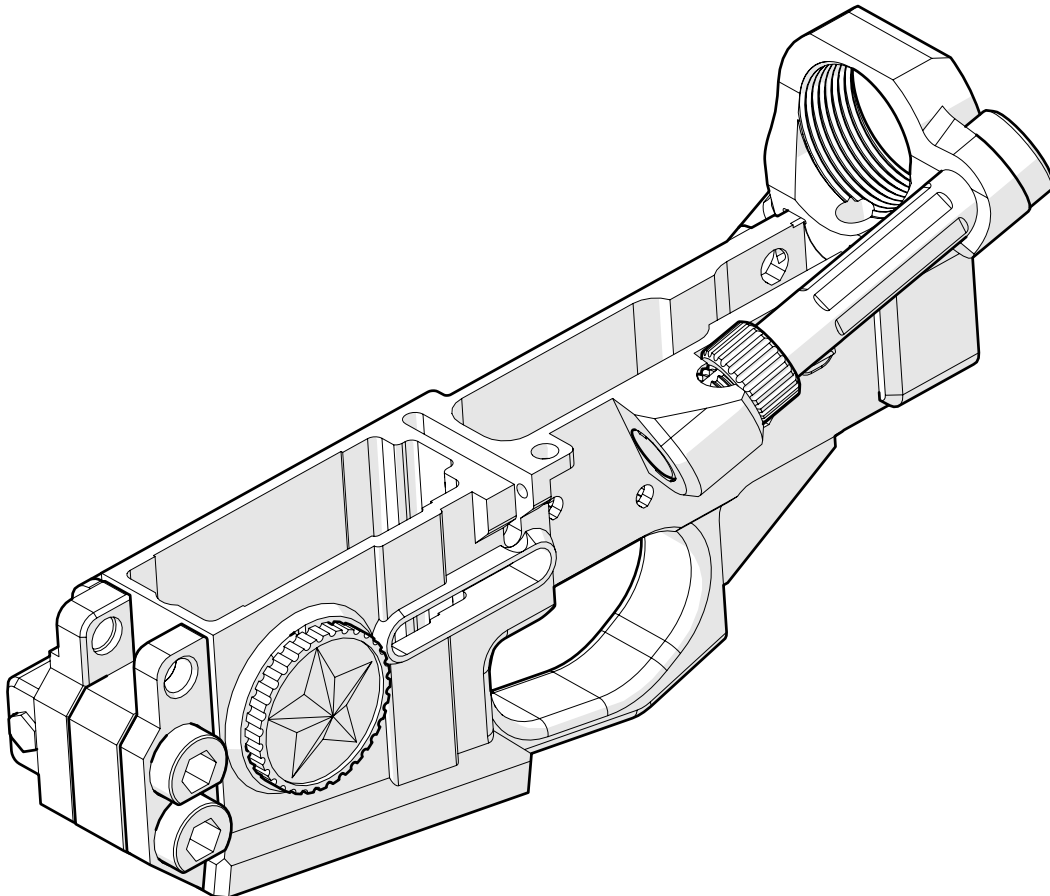
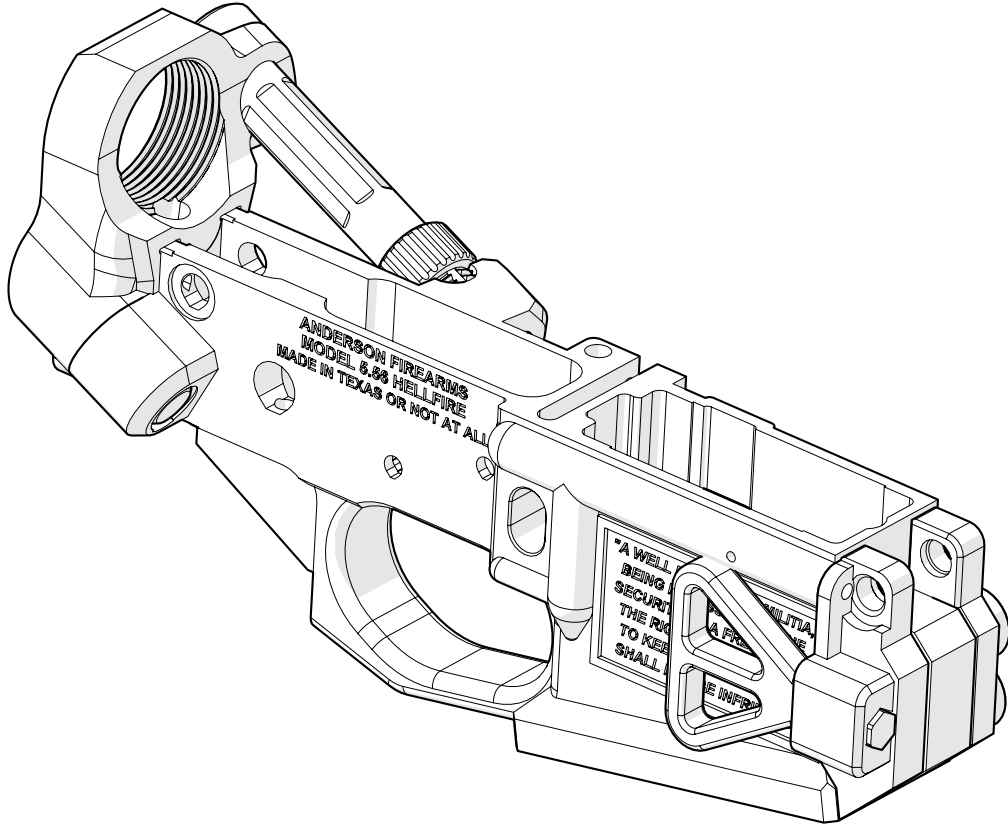
12



13



14 INSPECT THE FINAL PRODUCT





“A WELL REGULATED MILITIA, BEING NECESSARY TO THE SECURITY OF A FREE STATE, THE RIGHT OF THE PEOPLE TO KEEP AND BEAR ARMS SHALL **NOT BE INFRINGED.”**

- CONSTITUTION OF THE UNITED STATES OF AMERICA 1789 (REV. 1992)

MODEL 5.56 HELLFIRE BETA PARTICIPANTS

BETA MODERATORS:

CTRLPEW, NGUYENKVVN

OTHER CREATORS (AND SHIT TALKERS):

SPOOKYSPECTRE, NOTFEYNMANN, TOBASHADOW, GATSGATSGATS, HARDHATPAT, PSEUDOENDIAN, BRUHMOMENTV2, SERIOUSSTEVE, TJB556, TIMBRESLICE, MANRAY3726, POG LORD, BOOKCHIN1312, SILRAKJ, BIGBOOTYBUTTCAKE, EPIC SURVIVOR, XERXES420X WIRBELWIND

REST OF THE ANONS:

2SCARY, 7DINOSAURNUGGETS, ACTUALFISHALIEN, AEROWOLF1911, ALBISVERRAT, ANDEO, ARCHTOM13, ASBAUMGARTEN, ATFKILLEDMYDOG(LOL), AVENGER1944, AZTHOROT, B_B_B_N_B, BOOTY_LICK3ER, B1AZ3D, BACKDRAFTARMORY, BAMAGRAD12, BCJ_BB, BDHARVA, BELLY_UP, BENNYBLAZER, BIGFRIENDLY, BONOBO44, BOOGIRONONHISHIP, BOSSMAN20, BUMBLER, CAIN968, CAMILLER, CAPTSWERVE, CENTRISIAN, CH3WYB, CHADRICKY, CHEROKEEPETE, CHINSASSIN, CHRIS7777, CHUNGALOID, CHUNNBUN, CININNATUS22, CLAPPEDE36, CLONEWAR, CONFESSOR, COPYPASTEBLAM, CORNPOPOG, CORRUPTBYTES, CORUSDESIGN, COUSINBRATWURST, COVID18, CPU_FAN, CRABULON, CRACKERSOFDOOM, CRYPTOGUNNER, CUMORGLAS, DAKTAH, DANISHBULLDOG, DARKBUG, DAVINCIDRAGON, DEADBEEFY, DEONTIUS, DHG57, DIRKDIGGER420, DOGEATSWAFFLES, DOOMED461, DPSMESA, DTGZ, EDDM, EDGAN, ELCHAPONE, ELROMPETOTO6969, EMPTYBACON, ENGARM, FONZIE920, FOOBADOO, FREEDOMFOREVER, FREEMANAMIRU, FREESKEES, FROOB, FROSTBITEHURTS, GILLUM1988, GMAN97, GRAYFOX_, GRIDDLESS, GUERILLAFIGHTER, GUNFACTS, GUNZNDRUGZ, HANDOFHEPHAESTUS, HARDTAKTEAK, HAUDI, HUSQVARNA450TE, IDKWHOIAM, IM_FREE_4926, IMAMEATPOPSICLE, IMPROVIGNORANCE, INODEZ, JONNY852, JACK117WB, JACKMCBASTARD, JACKOFALLTRADES, JBROOM, JIMSTER, JITTERS789, JLO710, JOHN_RYDER, JUNGLETEK, JUSTSENDIT, KAIT, KARIS891, KATIEHACKWORTH, KBITZ, KEISISQRL, KEPPEP762, KK, KREDO, KYLESIMS, LIB_CHEM, LIBOHOUND, LIM62, LUAU_ACTUAL, MAK_GYVER, MANOWARISGOD, MARKYMARK55, METALICALCOHOLIC, MF1VE, MINIVANRACER, MMARYO22, MOLDYICECREAM, MRCREECREE, MURPH300, MUSHROOMSTYLE, NARF85, NASHREDYN, NOLOGY, NORESOLUTION, NTRNFLXLS, NUKREE, OMARESS, ONEMANBAND, ONTARIOBRAVO, PABLOSOSA, PATRIOTSON 1776, PERRYTHEPLATPUS, PEWPEWW, PIRATE711, PIXEL_SMOKE, PRINTEDIT, PURK, PUSHINGFLOWERS, PYOTRIVANOV, RAILGUN, RAW_PLANT8, RED17WOLF, RIDGEBACK111, ROBBERTGATDOBBS, RSMITH28, S31ZE, SAIGAMONKEY, SAINTOFSINS, SALTEDROMAN, SCHLOM069, SCOTTZ1K, SEBBYSPINNER, SEIKEEF, SHADOWHUNTER985, SHARKY1234, SHEKELMASTER, SIGNALGOBRRR, SILOHAWK, SKBATT4, SKIP1802, SL13, SNEEDANDTHEED, SSCHOOR, STARFISHPRIME, SUKIABLEEAT, SUPER_MONKEY, TEXASLONGSHOT_, TGUNZZ, THEGREATGSKI, THEMAZZ, THEWORM, TIMOTHY_B, TJHOGG, TOD8THEBOT, TSHIRTNINJA, TWISTEDSHADOWSHO, UBERMICH, WYLDE_FAE, XEROX_GLOCKS, XIROS, YEHDUC, YERPVAR, YOLOTENDIES, YOUAREAFED, ZELEN AZVEZDA, ZERO69, ZUCC_THIS

OTHER PARTICIPANTS:

THE OLDFAGS OF /K/, RETARDS FROM /POL/, BREADERS, ANCOMS, LIBS, CUCKS, WEEBS, FOSSCAD, AWCY, FROGS, BIDEN BRAINLETS, TRUMPERS, LEAFS, MURICANS, BOOMERS, ZOOMERS, GAY MODS FROM SUBREDDIT /R/FOSSCAD.