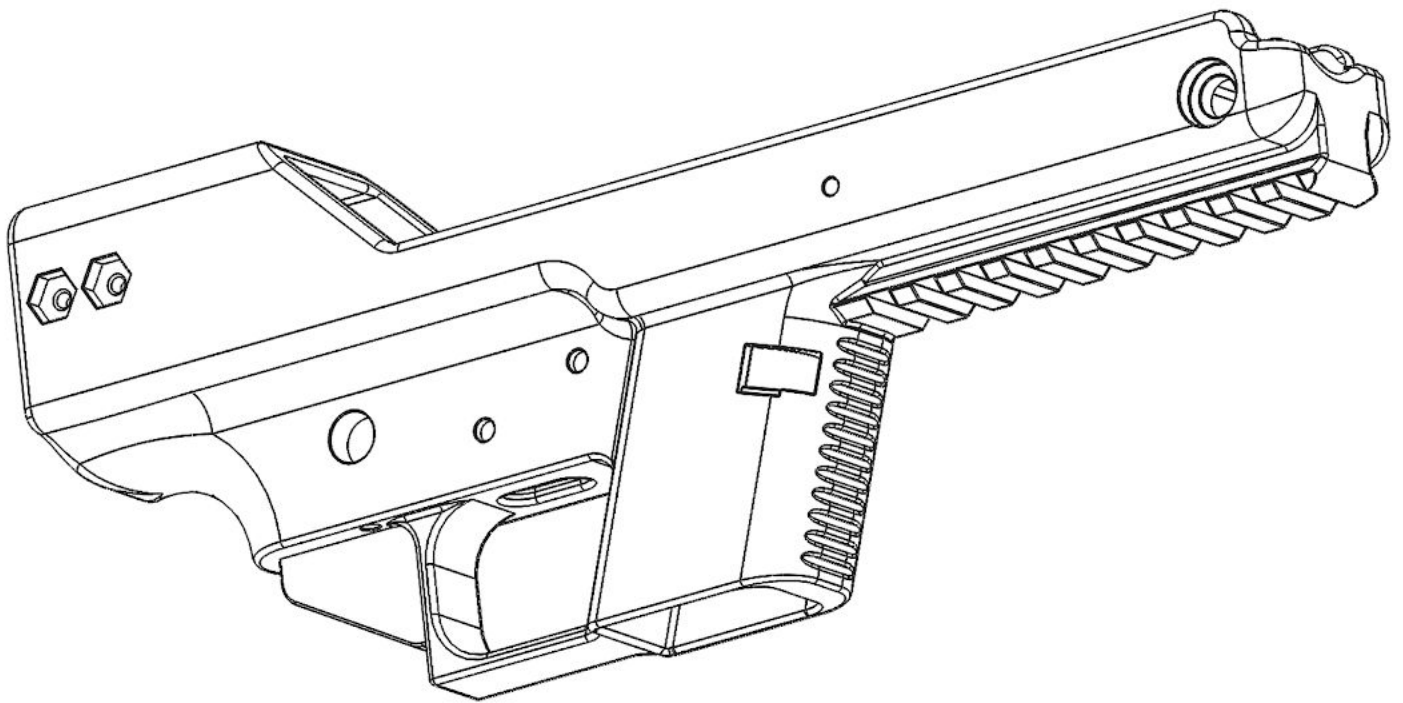


THE MACDADDY



-FMDA1776

This release is the culmination of months of testing and evaluation by the Deterrence Dispensed community. Collectively we've had about twenty thousand rounds of 9mm expended by the collective with the highest single count being about five thousand. I am floored by your dedication and resiliency. All the members who took part, shared feedback, or just printed a model to show off have my heartfelt thanks. Cheers you lovely bastards. - FMDA1776

HARDWARE

1. M11

- a. M11 Upper tube
- b. M11 barrel
- c. M11 bolt
- d. M11 Charging Handle
- e. M11 Upper tube retention bolt

2. AR15

- a. Trigger
- b. Trigger Spring
- c. Trigger Pin
- d. Hammer
- e. Hammer Spring
- f. Hammer pin
- g. Disconnecter
- h. Disconnecter Spring
- i. Selector
- j. Selector Detent
- k. Selector Spring

3. Glock

- a. Glock Mag Catch Spring

4. Common

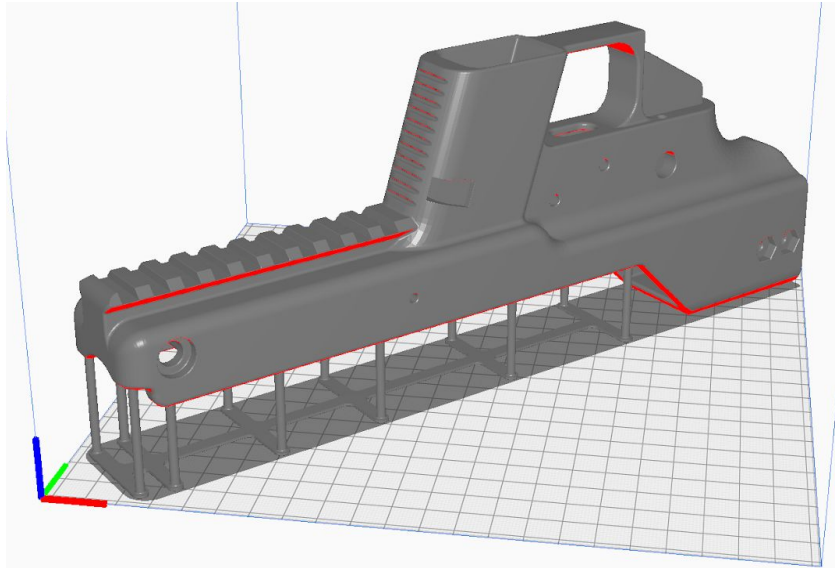
- a. (Optional) 2x Screw for Adapter M3 x 40mm
- b. (Optional) 2x Nut for Adapter M3
- c. (Optional) 2x Screw for mag carrier M4 x 40
- d. (Optional) 2x Nut for mag carrier M4
- e. (Optional) Extra mag catch springs for mag carrier - (MAF sells a 5 pack)

The M11 upper tubes / assemblies are available from a variety of sellers online. MAF Corporation (<https://maf-arms.com/>) is our preferred supplier. Their kit comes with all the M11 and Glock Hardware required. They are huge supporters of the community and put up the funding to have all their extra kits made for us to meet demand. Not to mention the other stuff they are working on for us.

PRINTS & SETTINGS

Frame

- This print takes the entirety of the Ender 3 or 5 Print bed. Anything smaller than 235 x 235 will not fit this model.
- Material Choice is PLA+
- Orientation

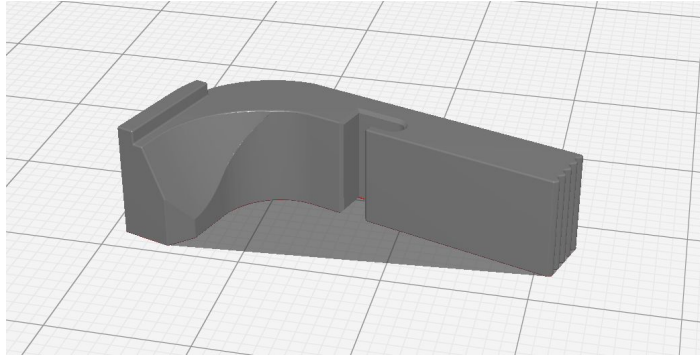


-
- Orient magazine well up centered on the bed and rotate laterally 45 degrees so the front and back each face a corner.
- Set **Build Plate Adhesion** to none - !Important!
- Set **Layer Height** between .1 and .2
- Set **Wall Line Count** 8 - 10
- Set **Infill** to 100%
- Set **Support > Generate Support** to yes
- Set **Support > Support Placement** to Everywhere

PRINTS & SETTINGS

Frame Magazine Catch

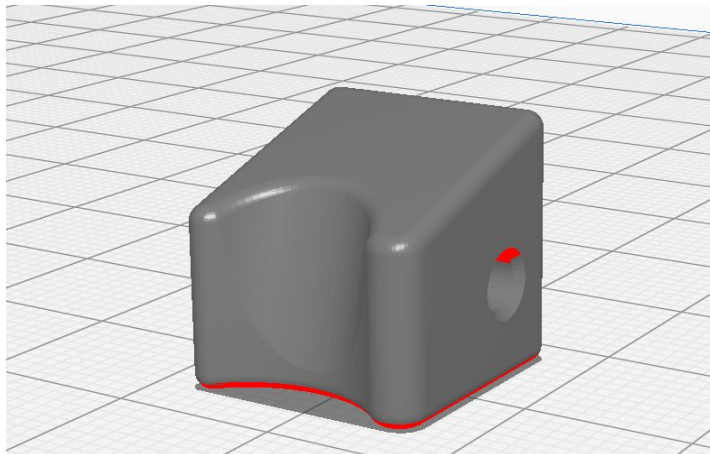
- Also applies to the catches for the mag carrier
- Orientation



-
- Other settings as above
- Some filing and sanding will be required to fit this in the appropriate receptacle.

Feed Ramp

- Orientation

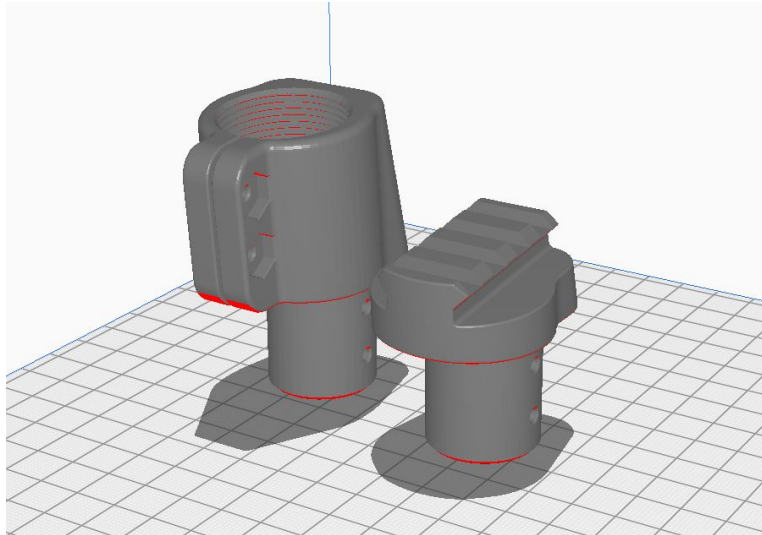


-
- Other settings as above
- Sand or file smooth all surfaces that come in contact with bullets.

PRINTS & SETTINGS

Brace Adapter(Optional

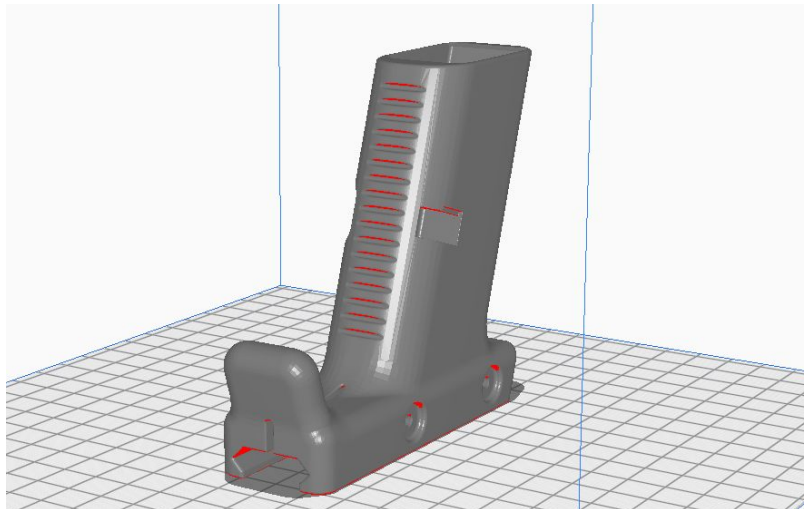
- Orientation



-
- Other settings as above
- Sanding of the contact surfaces between the adapter and frame may be needed.

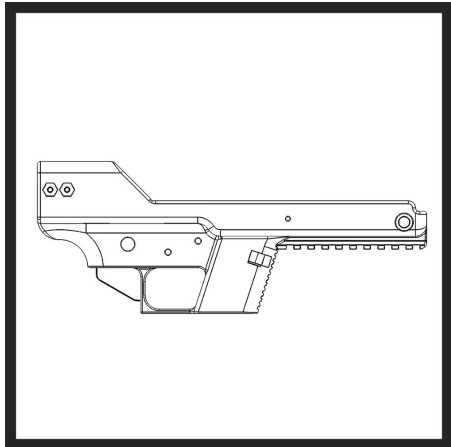
Mag Carrier

- Orientation

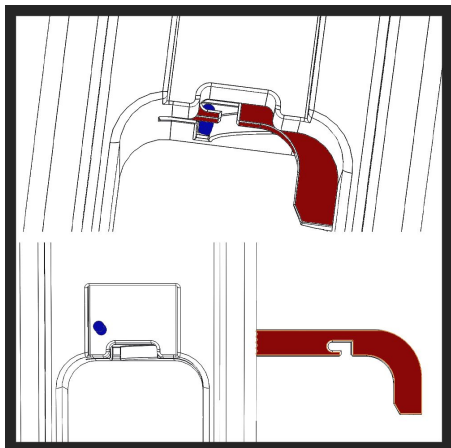


-
- Other settings as above

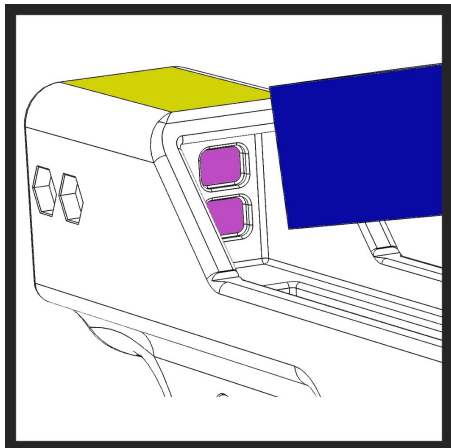
ASSEMBLY



Remove support material and stands
Install AR15 FCG

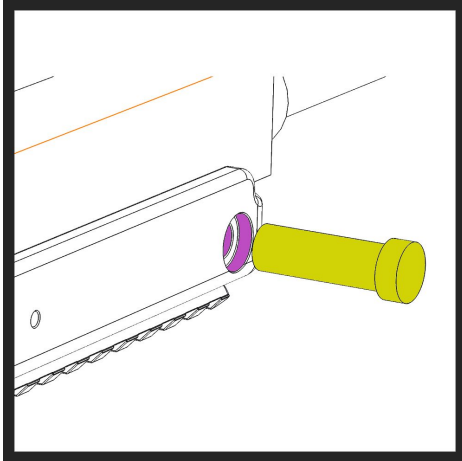


Install mag catch (red) and mag catch spring (blue)

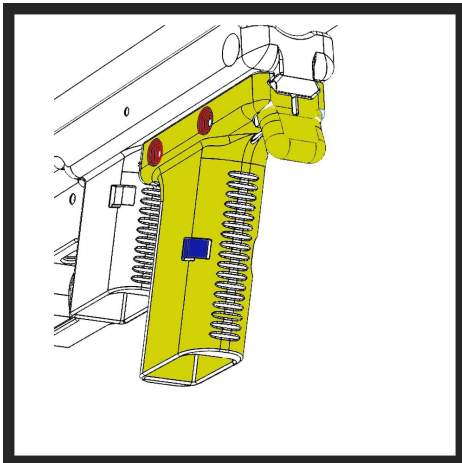


Insert the M11 upper tube (blue) into the frame indexing the 2 posts that stick out of the rear of the bolt in the corresponding slots (pink). Some force is required but too much will break the top section of the rear frame (Gold). Proceed with caution.

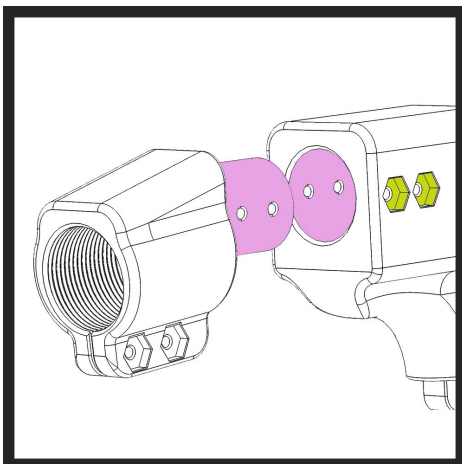
ASSEMBLY



Insert the upper receiver pin (gold) into the pinhole in the frame (pink) through the barrel lug.



Install the mag catch and mag catch spring as demonstrated before. Use the 2x m4 screws and nuts to secure the mag carrier to the rail.



Install the brace adapter in the appropriate receptacle (pink) and use the 2 m3 screws and nuts to secure it in place. These holes may need to be reamed to size.

CREDITS

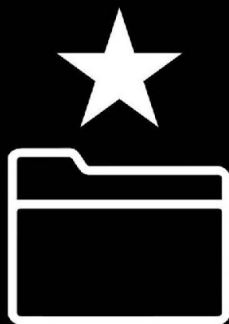
CAD: FMDA1776

Readme: CTRLPew

Join in the fun keybase.io/team/det_disp.

If you want to support FMDA1776's work

<https://ctrlpew.com/donate-to-fmda/>



COME AND TAKE IT